

RX 424 HG

Bakery oven



Ref. 710526



FUNCTIONS - FEATURES

- *Humidifier*
- *Grill*
- *End of cycle alarm*
- *Safety thermostat*
- *Interior light*
- *0-60 Minute timer*
- *Non-stop mode*
- *Standard equipment 4 wire trays*

TECHNICAL CHARACTERISTICS

Electric power 3100 W

Max temperature 250 °c

Weight 41 KG

Voltage 230 V-50/60 Hz

Connection single phase Shucko

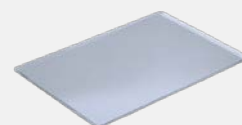
Internal dimensions (W)500x(D)410x(H)350 mm

External dimensions (W)640x(D)720x(H)545 mm

CAPACITY

4 trays 480x340

4 trays GN 2/3



RX 424 HG

Specific accessories



RX 43/44 Stand

Ref. 710547



(W)590x(D)580x(H)850 mm

Wheels

Ref. 710286



Wheeled option

Fumes condenser kit

RX SERIES

Ref. 710551

(W)170x(D)70x(H)400 mm

RX H2O SERIES

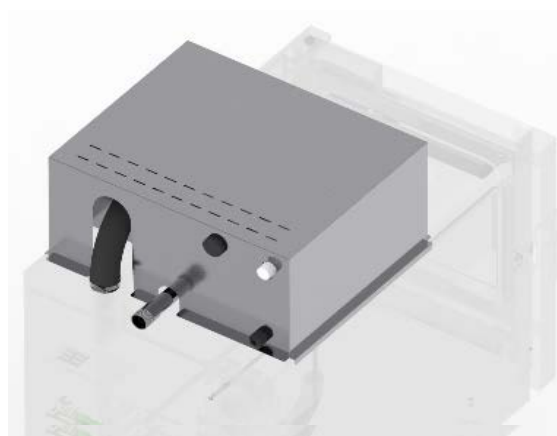
Ref. 710552

(W)720x(D)85x(H)450 mm

RX DUO SERIES

Ref. 710553

(W)580x(D)120x(H)180 mm



RX 43/34 Superposition kit

Ref. 710554



(W)640x(D)720x(H)40 mm